

HIRE

SALES

TRAINING

0345 130 0000

NATIONAL
COVERAGE

STAR
PLATFORMS

POWERED ACCESS HIRE, SALES & TRAINING

Model
Type

Dingli BA28HRT Boom Lift

Working height

28.10m

Length

11.28m

Width

2.50m

Lifting Capacity

250kg

Machine weight

18,400kg

Power

Bi-energy

Use



STANDARD FEATURES

- Four-wheel steering & Four-Wheel drive
- Front oscillating axle
- 2.31m (7ft 7in) Jib
- Self-leveling platform
- 180° left and right swing platform
- Proportional joystick controls
- Thumb rocker steer
- Drive enable
- AC power to platforms
- Tilt alarm & descent alarm
- Flash
- Horn
- Hour meter
- Integral integrated special drive axle for construction machinery
- 360° continuous turntable rotation
- Positive traction four wheel drive
- Platform load sense system
- Fault diagnosis system
- Operator anti-crushing protection system
- Harsh environment kits
- 12V DC auxiliary power
- Lithium battery 420Ah/80V
- Driving motor 18kW 3243rpm
- Lifting motor 24kW 2150rpm

IPAF Category 3b

Do you hold a valid operator's licence?

The Powered Access Licence (PAL) Card is recognised worldwide as proof of platform operator training to the highest standard.

It is issued by the International Powered Access Federation (IPAF) to platform operators who successfully complete a training course at an IPAF approved training centre.

Quick checklist for employers and operators using powered access machines:

- ✓ I have an IPAF PAL card
- ✓ Date is still valid
(Licence expires after 5 years)
- ✓ All categories for the machine's being used are listed on the PAL card (e.g. 3a, 3b, PAV).



If you can answer yes to all three, you're good to go!

If not, please call us to discuss your requirements and arrange a training course.



PAV



Push-around

3a

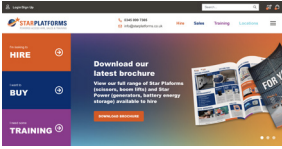


Mobile Vertical

3b



Mobile Boom

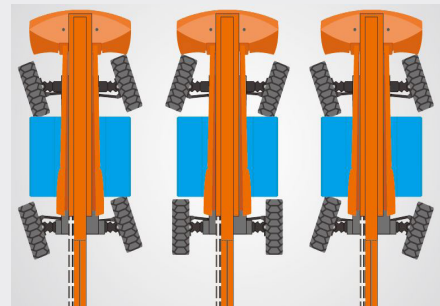
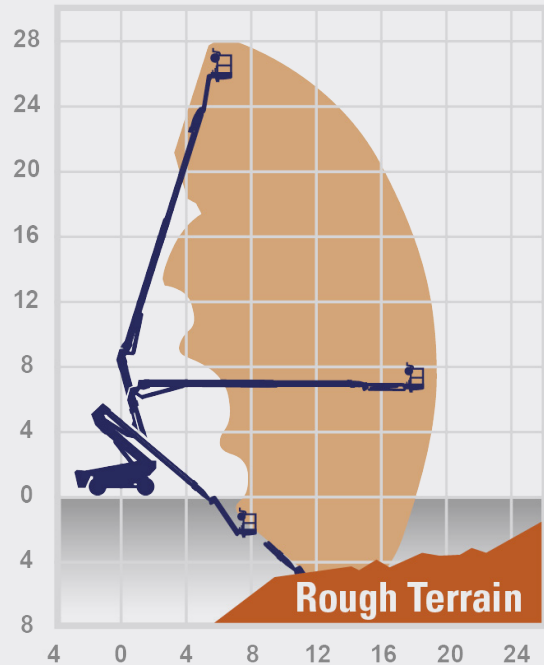
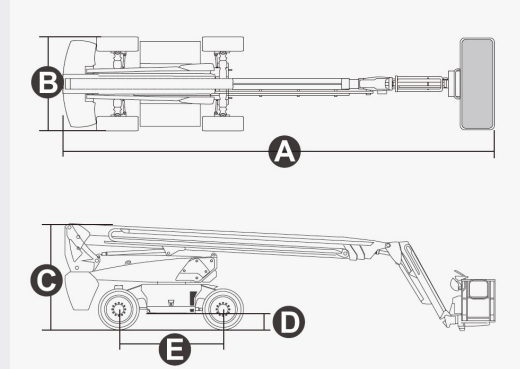


For more information head to our website starplatforms.co.uk



BA28HRT Boom Lift

Dimensions	BA28HRT
Working Height	28.10m
Platform Height	26.10m
Outreach	19.40m
A Overall Length	11.83m
B Overall Width	2.50m
C Overall Height	2.89m
D Ground clearance	0.41m
E Wheelbase	2.80m
Platform Width (length x width)	2.44 x 0.91m
Specifications	BA28HRT
Lifting Capacity	250kg
Maximum Persons	2
Platforms Rotation	180°
Jib Rotation	135°
Weight	18,400kg
Gradeability	30%
Turning Radius (Inside)	1.87m
Turning Radius (Outside)	3.22m
Drive Speed (Stowed)	6.0 km/h
Drive Speed (Raised)	1.1 km/h
Tyre Type	Non-Marking
Tyre Size	385 x 45-28mm
Lithium Battery	420Ah/80V
Diesel Tank	110L
Hydraulic Tank	165L



Have you discovered our sister company, Star Power?
Your one-stop shop for temporary power hire
03300 535622 / star-power.co.uk

