



Skyjack SJIII 3215/19

Electric Scissor Lifts

STANDARD FEATURES

- Drivable at full height with roll out deck fully extended
- Variable speed, front two wheel hydraulic drive
- 90° steering (zero inside turning radius)
- Dual holding brakes
- Proportional controls for drive & lift functions
- 0.91 m roll out extension deck
- 24V DC power source
- Low voltage battery protection
- Relay based control system
- Colour coded and numbered wiring system
- 30% gradeability
- Solid rubber, non-marking tyres
- Pothole protection system
- Wiring for AC outlet on platform
- Tilt alarm with drive & lift cut-out
- Overload sensing system
- Lowering warning system
- Operator horn
- Half height spring hinged gate
- Hinged railing system
- Lanyard attachment points
- Forklift pockets and tie down/lift lugs

IPAF Category 3a

Do you hold a valid operator's licence?

The PAL Card (Powered Access Licence) is recognised worldwide as proof of platform operator training to the highest standard.

It is issued by the International Powered Access Federation (IPAF) to platform operators who successfully complete a training course at an IPAF approved training centre.

Quick checklist for employers and operators using powered access machines:

- ✓ I have an IPAF PAL card.
- ✓ Date is still valid (Licence expires after 5 years).
- ✓ All categories for the machine's being used are listed on the PAL card (e.g. 3a, 3b, PAV).

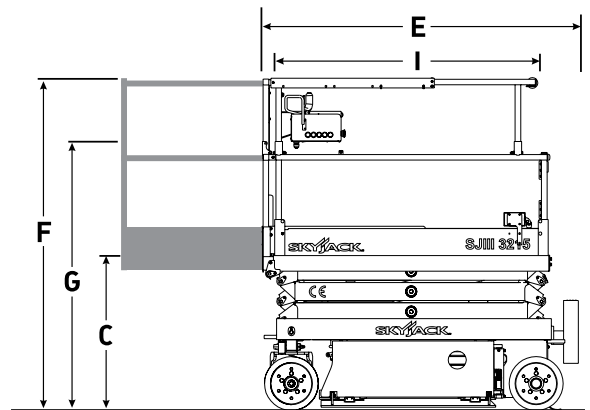
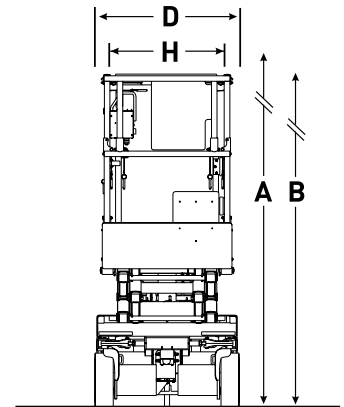
If you can answer yes to all three, you're good to go!

If not, please call us to discuss your requirements and arrange a training course.



SJIII 3215/19 Electric Scissor Lifts

Dimensions	SJIII 3215	SJIII 3219
A Work Height	6.57 m	7.79 m
B Raised Platform Height	4.57 m	5.79 m
C Lowered Platform Height	0.88 m	0.99 m
D Overall Width	0.81 m	0.81 m
E Overall Length	1.78 m	1.78 m
F Stowed Height (Rails Up)	1.98 m	2.10 m
G Stowed Height (Rails Down)	1.63 m	1.75 m
H Platform Width (Inside Dimension)	0.66 m	0.66 m
I Platform Length (Inside Dimension)	1.63 m	1.63 m
Specifications	SJIII 3215	SJIII 3219
Extension Deck (Roll Out)	0.91 m	0.91 m
Ground Clearance (Stowed)	6.03 cm	6.03 cm
Ground Clearance (Raised)	1.78 cm	1.78 cm
Wheelbase	1.40 m	1.40 m
Weight	1,120 kg	1,312 kg
Gradeability	30%	25%
Turning Radius (Inside)	0	0
Turning Radius (Outside)	1.68 m	1.68 m
Lift Time (With Rated Load)	23 sec	25 sec
Lower time (With Rated Load)	24 sec	29 sec
Drive Speed (Stowed)	3.1 km/h	3.1 km/h
Drive Speed (Raised)	1.1 km/h	1.1 km/h
Maximum Drive Height	Full Height	Full Height
Capacity (Overall)	227 kg	227 kg
Distributed Capacity (Main Platform)	114 kg	114 kg
Distributed Capacity (Extension Deck)	113 kg	113 kg
Local Floor Load (With Rated Load)	742 kPa	782 kPa
Overall Floor Load (With Rated Load)	9 kPa	11 kPa
Maximum # of Persons (indoor/outdoor)	2/1	2/1
Tyre Type	Solid, N/M	Solid, N/M
Tyre Size	12 x 4 x 8	12 x 4 x 8



Hire • Sales • Training

 **0844 682 0000**

www.starplatforms.co.uk

info@starplatforms.co.uk

UK Coverage

We offer a true UK wide hire service via a network of strong, regional access companies who share Star Platforms' values, offering high service levels and quality equipment.



 ACCESS ALLIANCE