



Haulotte STAR 8/10

Electric Mast Booms

STANDARD FEATURES

- 24 V electric drive brushless AC motors
- 24 V – 250 Ah traction batteries
- 35 A battery charger
- Battery charge indicator
- On-board diagnostic tool Haulotte Activ'Screen
- Centralised battery filling
- Forklift tine pockets
- Towing hooks and lifting eyes
- Passive potholes
- 2 rear steering wheels
- 2 front driving wheels
- Non-marking tires
- Brake release
- Hour meter
- Horn
- Emergency stop buttons at cage and ground level
- Load controller in the platform
- Emergency hand pump
- 2 control stations at cage and ground level
- 2 rings in the platform for safety harnesses
- Travel alarm

IPAF Category 3b

Do you hold a valid operator's licence?

The PAL Card (Powered Access Licence) is recognised worldwide as proof of platform operator training to the highest standard.

It is issued by the International Powered Access Federation (IPAF) to platform operators who successfully complete a training course at an IPAF approved training centre.

Quick checklist for employers and operators using powered access machines:

- ✓ I have an IPAF PAL card.
- ✓ Date is still valid (Licence expires after 5 years).
- ✓ All categories for the machine's being used are listed on the PAL card (e.g. 3a, 3b, PAV).

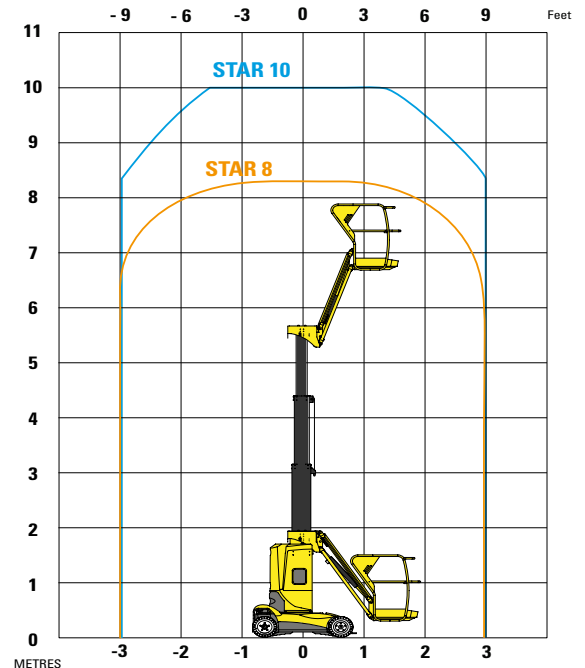
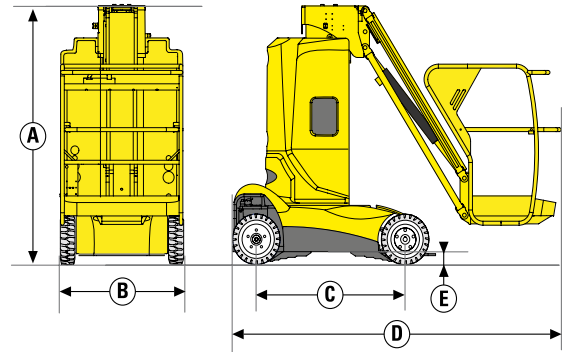
If you can answer yes to all three, you're good to go!

If not, please call us to discuss your requirements and arrange a training course.



STAR 8/10 Electric Mast Booms

	STAR 8	STAR 10
Working height	8.70 m	10.00 m
Platform height	6.70 m	8.00 m
Horizontal outreach	3.00 m	3.00 m
Lift Capacity	200 kg	200 kg
Platform Size	0.78 x 0.98 m	0.78 x 0.98 m
D Length	2.70 m	2.70 m
B Width	1.00 m	1.00 m
A Stowed height	1.99 m	1.99 m
Tailswing	0 cm	0 cm
C Wheelbase	1.20 m	1.20 m
E Ground clearance	10 cm	10 cm
Driveable at full height up to	6.70 m	6.70 m
Drive speed proportional	0.6 - 5 km/h	0.6 - 5 km/h
Turning Radius - outside	1.88 m	1.88 m
Turnable rotation	345°	345°
Vertical jib rotation	130° (+70°/-60°)	130° (+70°/-60°)
Tires - non marking	16x5x10.5	16x5x10.5
Tilt alarm	3°	3°
Gradeability	25 %	25 %
Hydraulic system capacity	7 l	7 l
Power source	24 V - 250 Ah	24 V - 250 Ah
Weight	2585 kg	2677 kg



Hire • Sales • Training

 **0844 682 0000**

www.starplatforms.co.uk

info@starplatforms.co.uk

UK Coverage

We offer a true UK wide hire service via a network of strong, regional access companies who share Star Platforms' values, offering high service levels and quality equipment.

