



Genie

GS-2032

GS-2632

GS-3232

Electric Scissor Lifts

STANDARD FEATURES

- Folding rails with half-height swing gate(standard on all CE, GS-2632, GS-3232)
- Automatic leveling outriggers (GS-3232 only)
- Dual front wheel drive
- Universal 20 amp smart charger
- Rear recessed charger receptacle
- SmartLink - proportional lift and drive
- Platform control with battery charge indicator and diagnostic display
- On-board diagnostic system
- AC power to platform
- Lanyard attachment points
- Manual platform lowering valve
- Emergency stop at both platform and ground controls
- Rear wheel multiple disc brakes
- Front wheel hydraulic dynamic braking
- Brake release
- Swing-out component trays
- Solid non-marking tires
- Pothole guards
- Tilt level sensor with audible alarm
- Descent alarm

IPAF Category 3a

Do you hold a valid operator's licence?

The PAL Card (Powered Access Licence) is recognised worldwide as proof of platform operator training to the highest standard.

It is issued by the International Powered Access Federation (IPAF) to platform operators who successfully complete a training course at an IPAF approved training centre.

Quick checklist for employers and operators using powered access machines:

- ✓ I have an IPAF PAL card.
- ✓ Date is still valid (Licence expires after 5 years).
- ✓ All categories for the machine's being used are listed on the PAL card (e.g. 3a, 3b, PAV).

If you can answer yes to all three, you're good to go!

If not, please call us to discuss your requirements and arrange a training course.



GS-2032, GS-2632, GS-3232

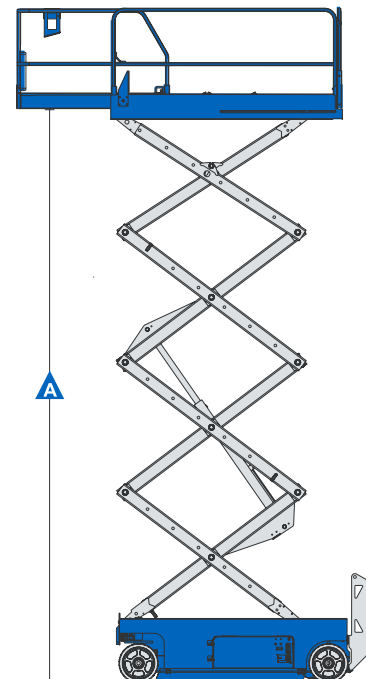
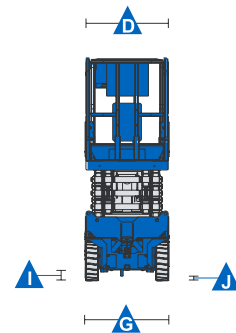
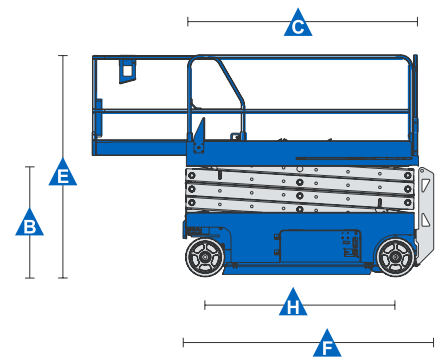
Electric Scissor Lifts

Specifications	GS-2032	GS-2632	GS-3232
Working height maximum*	8.10 m	9.92 m	11.75 m
A Platform height maximum	6.10 m	7.92 m	9.75 m
B Platform height stowed	1.03 m	1.16 m	1.29 m
C Platform length - outside	2.26 m	2.26 m	2.26 m
extended	3.18 m	3.18 m	3.18 m
Slide-out extension deck	0.91 m	0.91 m	0.91 m
D Platform width - outside	0.81 m	0.81 m	0.81 m
Guardrail height: fixed rails	0.99 m	n/a	n/a
fold down rails	1.10 m	1.10 m	1.10 m
Toeboard height	0.15 m	0.15 m	0.15 m
E Height - stowed			
fixed rails	2.03 m	n/a	n/a
folding guardrails	2.13 m	2.5 m	2.38 m
rails folded	1.75 m	1.91 m	2.03 m
F Length - stowed	2.44 m	2.44 m	2.44 m
Length - extended	3.33 m	3.33 m	3.33 m
G Width	0.81 m	0.81 m	0.81 m
F Wheelbase	1.85 m	1.85 m	1.85 m
I Ground clearance - center	89 mm	89 mm	89 mm
J - with pothole guards deployed	22 cm	22 cm	22 cm

Productivity	GS-2032	GS-2632	GS-3232
Maximum platform occupancy	2	2	2
Lift capacity	363 kg	227 kg	227 kg
Extension deck capacity	113 kg	113 kg	113 kg
Drive height	full height	full height	6.71 m
Drive speed - stowed	3.5 km/h	3.5 km/h	3.5 km/h
Drive speed - raised	0.8 km/h	0.8 km/h	0.8 km/h
Gradeability - stowed	25%	25%	25%
Maximum outrigger leveling:			
front to back	n/a	n/a	3°
Maximum outrigger leveling:			
side to side	n/a	n/a	5°
Turning radius - inside	zero	zero	zero
Turning radius - outside	2.13 m	2.13 m	2.13 m
Raise/lower speed	28/24 sec	8/24 sec	55/28 sec
Controls	proportional		
Drive	dual front wheel		
Multiple disc brakes	dual rear wheel		
Tires - solid non-marking	38 x 13 cm		

Power	GS-2032	GS-2632	GS-3232
Power source	24 V DC (four 6V 225 Ah batteries)		
Hydraulic system capacity	17 L	17 L	17 L

Weight	GS-2032	GS-2632	GS-3232
Weight	1,825 kg	1,956 kg	2,352 kg



 0844 682 0000

info@starplatforms.co.uk

