

Genie GR-12 GR-15 GR-20

Vertical Mast Lifts



STANDARD FEATURES

- Auxiliary platform lowering
- Smart Link control system
- Low 39 cm (15.5 in) platform entry height
- Patented rigid mast system
- Ground clearance 6.3 cm (stowed)
- Fully proportional lift and drive controls
- Battery charge indicator
- On-board diagnostic system
- AC power to platform
- Descent and tilt alarm
- Zero inside turning radius
- Dual wheel brakes
- Hydraulic brake release
- Pothole protection
- Tie down attachment points
- Overhead crane attachment point
- Large forklift pockets access
- Certified load sensor

IPAF Category 3a

Do you hold a valid operator's licence?

The PAL Card (Powered Access Licence) is recognised worldwide as proof of platform operator training to the highest standard.

It is issued by the International Powered Access Federation (IPAF) to platform operators who successfully complete a training course at an IPAF approved training centre.

Quick checklist for employers and operators using powered access machines:

- ✓ I have an IPAF PAL card.
- ✓ Date is still valid (Licence expires after 5 years).
- ✓ All categories for the machine's being used are listed on the PAL card (e.g. 3a, 3b, PAV).

If you can answer yes to all three, you're good to go!

If not, please call us to discuss your requirements and arrange a training course.



GR-12, GR-15, GR-20

Vertical Mast Lifts

Specifications	GR-12	GR-15	GR-20
Working height	5.45 m	6.52 m	8.02 m
Platform height	3.45 m	4.52 m	6.02 m

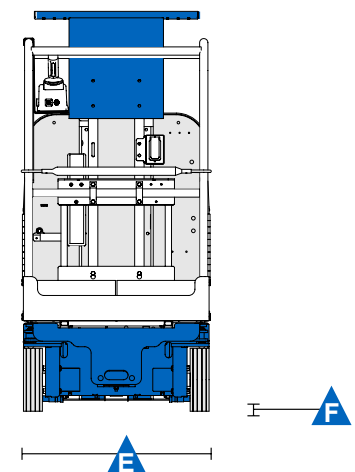
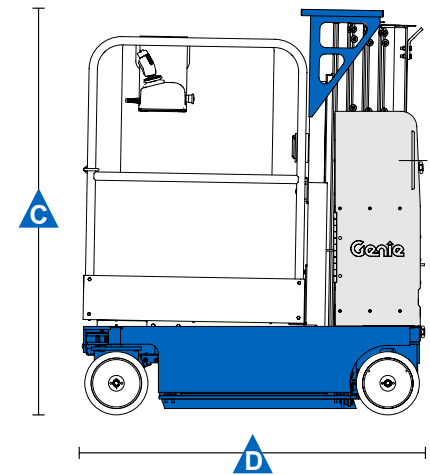
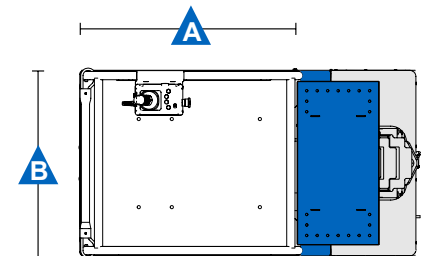
A & B Platform dimensions (length x width)

Standard	89 x 75 cm	89 x 75 cm	89 x 75 cm
Standard with extension	1.40 m x 75 cm		
C Height - stowed	1.57 m	1.57 m	1.98 m
D Length - stowed	1.35 m	1.35 m	1.35 m
E Width	75 cm	75 cm	80 cm
F Ground clearance - centre	6 cm	6 cm	6 cm

Productivity	GR-12	GR-15	GR-20
Max platform occupancy	1	1	1
Lift capacity	227 kg	227 kg	159 kg
Drive speed - stowed	4.0 km/h	4.0 km/h	4.0 km/h
Drive speed - raised	0.8 km/h	0.8 km/h	0.8 km/h
Gradeability	30 %	30 %	30 %
Turning radius - inside	zero	zero	zero
Turning radius - outside	1.42 m	1.42 m	1.42 m
Raise speed	20 sec	22 sec	24 sec
Lower speed	18 sec	19 sec	21 sec
Controls	24 V DC proportional		
Tyres - solid non-marking	25 x 8 x 20 cm		

Power	GR-12	GR-15	GR-20
Power source	24 V (four 6 V 225 Ah batteries)		
Hydraulic system capacity	8.33 L	8.33 L	8.33 L

Weight	GR-12	GR-15	GR-20
Weight	717 kg	994 kg	1,112 kg



Hire • Sales • Training

 **0844 682 0000**

www.starplatforms.co.uk

info@starplatforms.co.uk

UK Coverage

We offer a true UK wide hire service via a network of strong, regional access companies who share Star Platforms' values, offering high service levels and quality equipment.

 **ACCESS ALLIANCE**

